

VISION PLUS

Quick Release TV Bracket



The Wall Bracket is designed to screw to a mounting surface, which must be of a suitable load bearing strength to support the combined weight of the TV and Wall Bracket.

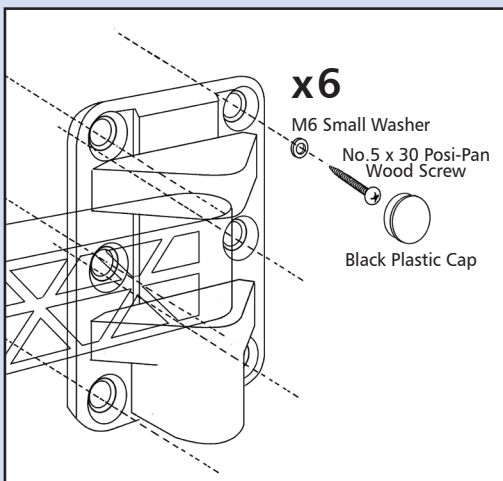
VERY IMPORTANT
Should the mounting surface lack strength, add a suitable block to the rear of the surface for additional rigidity.

WALL PLATE

- Firstly decide on the location of your TV Bracket. Using the Wall Plate as a template, mark the six mounting holes and drill 6 pilot holes.

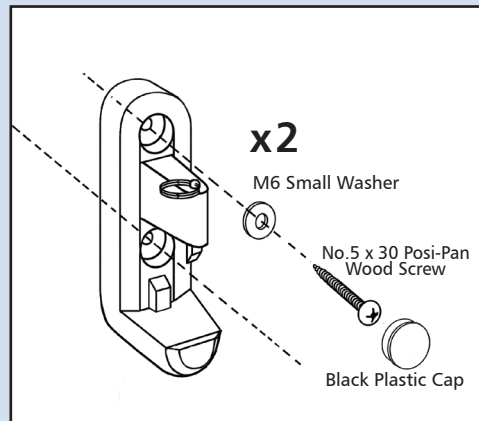
IMPORTANT - Please ensure the Wall Plate is level before drilling.

- Secure with the 6 sets of washers and screws provided as indicated below. Blank off the screw heads with the six blank caps provided.



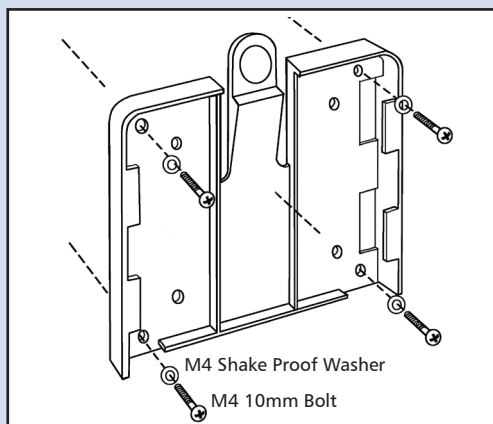
IN-TRANSIT LOCK

- Secondly decide on the position of the In-Transit Lock which needs to be secured to the top arm closest to the TV.
- Clip the In-Transit Lock to the arm and using as a template, mark the two holes and drill 2 pilot holes.
- Secure with the two sets of fixings provided as indicated below. Blank off the screw heads with the black caps provided.



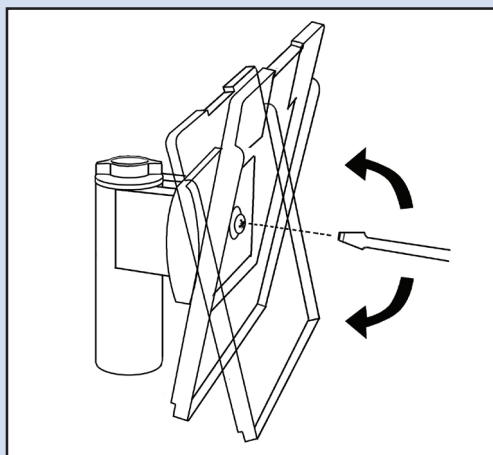
QUICK RELEASE TV Bracket

- Attach the TV Bracket to your TV with the four sets of fixings provided as indicated below.
- **IMPORTANT - Please check the VESA holes in the TV are deep enough to accommodate the bolts supplied.**
- Then slide your TV on to the Wall Bracket.



VERTICAL VIEW

- To adjust the TV's vertical viewing angle, loosen the central bolt as indicated and tighten. There is a ± 10 degrees adjustment.



- **IMPORTANT -** When adjusting, please ensure the arm will park without the TV fouling the mounting surface.

HORIZONTAL VIEW

- To adjust the TV's horizontal viewing angle, loosen the wing nuts on the arms, adjust and then re-tighten to prevent movement.

CABLE TIDY

- The Cable Tidy can be clipped either side of the arm. Please ensure cables are not trapped and they do not interfere with the In-Transit Lock when being 'parked'.

Please refer to the annotated image on the back of the retail box for additional information.

IMPORTANT WHEN TRAVELLING

Ensure the arm is 'PARKED' securely into the In-Transit Lock and the pin has sprung down into the notches on top of the arm.

Also, please tighten all the Wing Nuts on the hinges to prevent the TV and arms moving when travelling.

VISION PLUS

...keeping you in the picture

VISION PLUS
8 Finch Close
Lenton Lane
Nottingham NG7 2NN
0115 986 7151
info@visionplus.co.uk
www.visionplus.co.uk

VISION PLUS is a trading name of Grade UK Limited